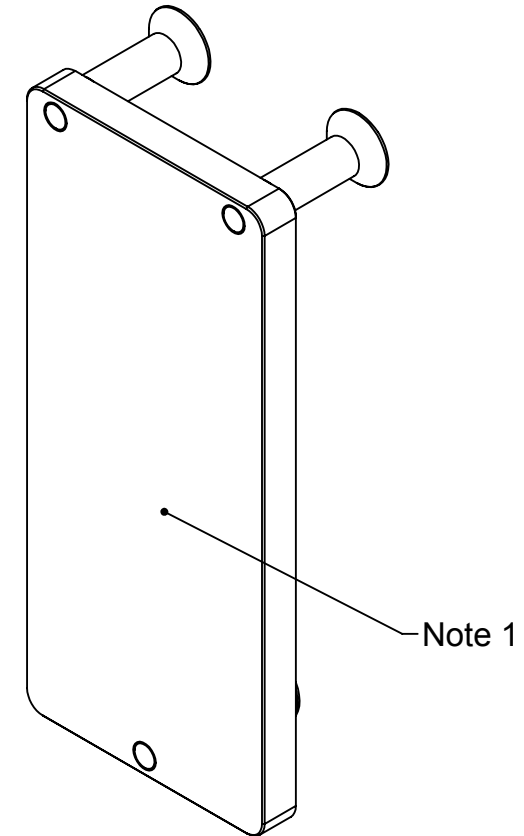
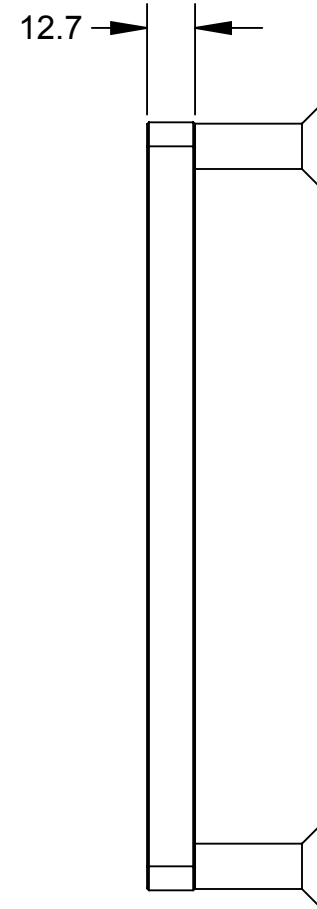
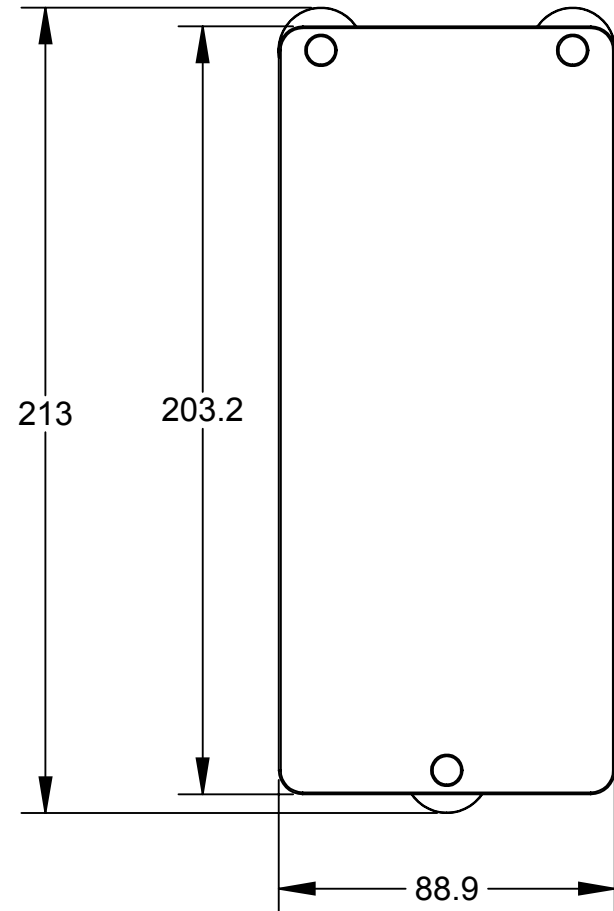
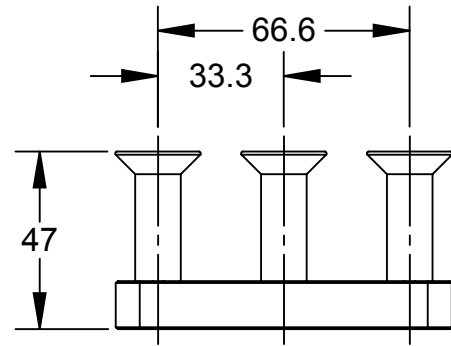
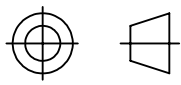


Rev.	Description	Initiator	Date
01	Initial Drawing	JMW	12/03/2013



Notes:

1. Customer to add mouting patterns as needed.

ITEM NO.	QTY.	PART NUMBER	DESCRIPTION								
1	1	9120-TSM-VVB-4069	TSM Vertical Tooling Interface Plate - Blank								
NOTES: UNLESS OTHERWISE SPECIFIED. DO NOT SCALE DRAWING. ALL DIMENSIONS ARE IN MILLIMETERS.		<p style="text-align: right;">1031 Goodworth Drive, Apex, NC 27539, USA Tel: +1.919.772.0115 Email: info@ati-ia.com Fax: +1.919.772.8259 www.ati-ia.com ISO 9001 Registered Company</p> <p style="text-align: center; font-size: small;">PROPERTY OF ATI INDUSTRIAL AUTOMATION, INC. NOT TO BE REPRODUCED IN ANY MANNER EXCEPT ON ORDER OR WITH PRIOR WRITTEN AUTHORIZATION OF ATI.</p>									
 3rd ANGLE PROJECTION		DRAWN BY: J. Winterroth, 12/03/13 CHECKED BY: D. Norton, 12/04/13									
		ATI INDUSTRIAL AUTOMATION TITLE: TSM Vertical Tooling Interface Plate - Blank									
PROJECT # -		SHEET 1 OF 1	<table border="1" style="width: 100%;"> <tr> <th>SCALE</th> <th>SIZE</th> <th>DRAWING NUMBER</th> <th>REVISION</th> </tr> <tr> <td>1:2</td> <td>B</td> <td>9630-20-TSM-VVB-4069</td> <td>01</td> </tr> </table>	SCALE	SIZE	DRAWING NUMBER	REVISION	1:2	B	9630-20-TSM-VVB-4069	01
SCALE	SIZE	DRAWING NUMBER	REVISION								
1:2	B	9630-20-TSM-VVB-4069	01								